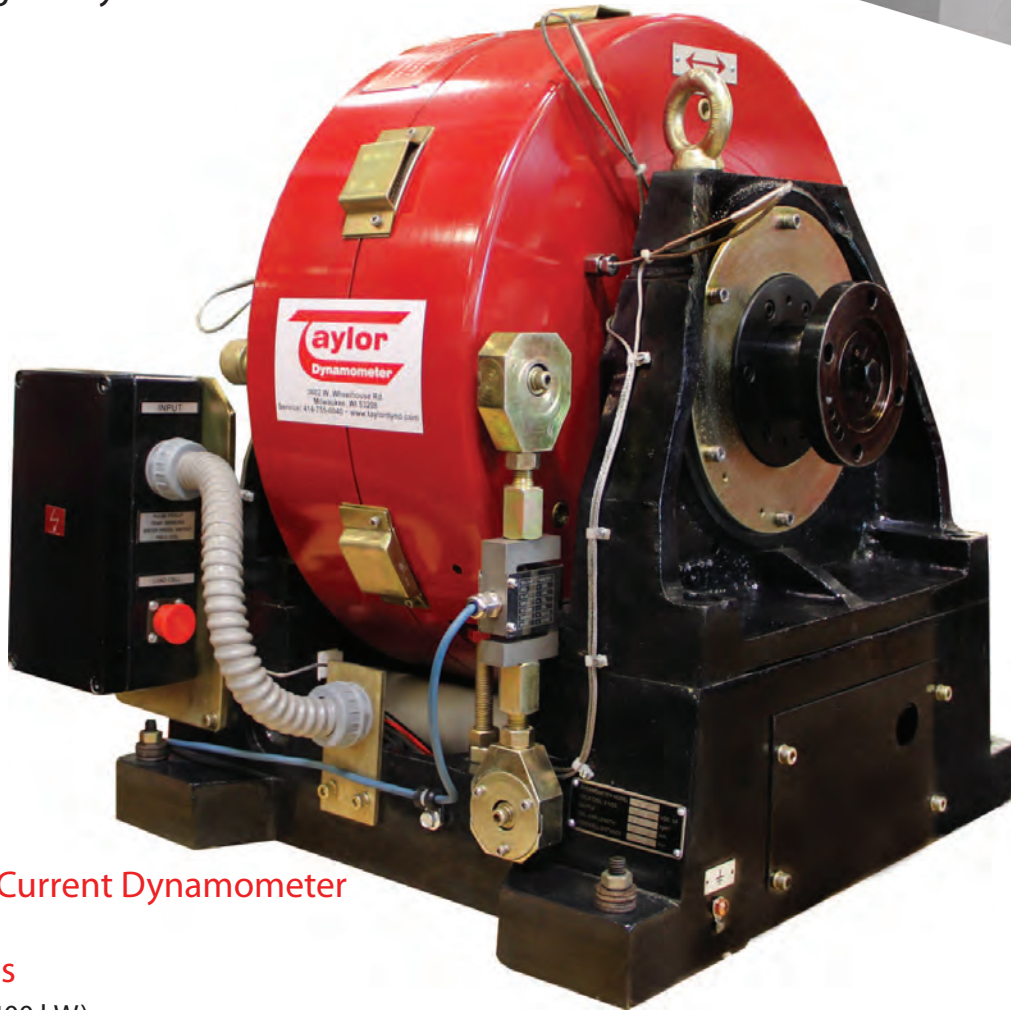




## DE400 / Engine Dynamometer



### DE400 Eddy Current Dynamometer

#### Specifications

Power: 536 hp (400 kW)

Torque: 1,475 ft-lb (2,000 Nm)

Speed: 8,000 rpm

Water Use: 74 gpm (4.7 lps) (No Cooling System)

Shipping Weight: 4,012 lb (1,820 kg)

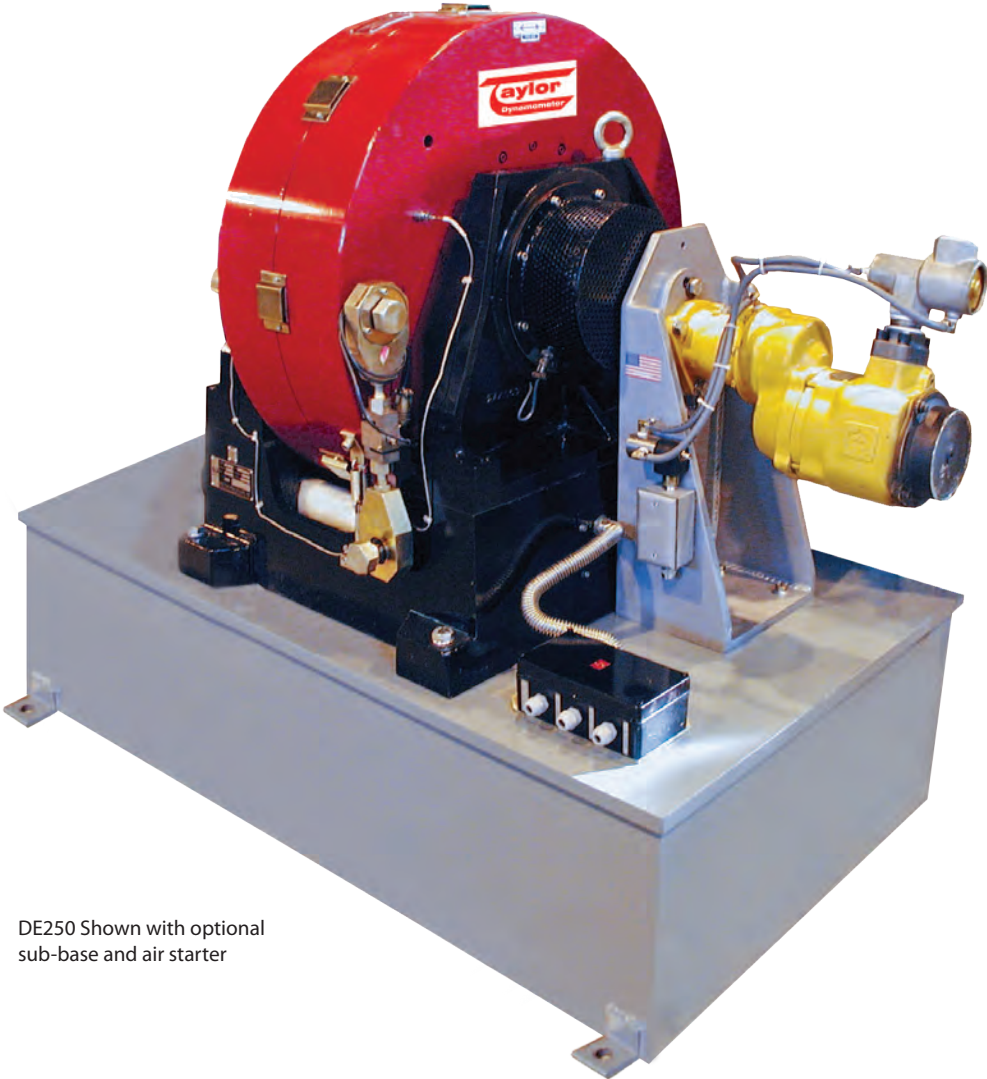
Inertia Value: 26 ft<sup>2</sup> · lb (1.107 m<sup>2</sup> · kg)

#### Recommended Accessories

- Driveshaft
- Driveshaft Guard
- Adapter Plate Kit
- Base Kit
- Engine Cart
- Cooling Column
- Charge Air Cooler
- Water Recirculating System

**Total Test Success**

# Optional Accessories



DE250 Shown with optional sub-base and air starter

Optional Cooling Column



Optional Engine Cart (Engine not Included)



Optional Driveshaft Cover



Optional Charge Air Cooler

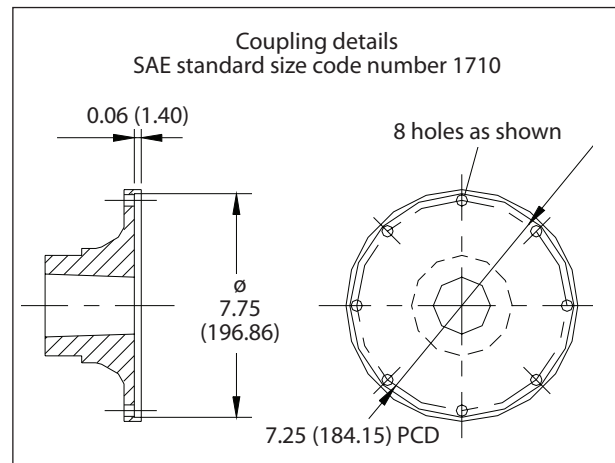
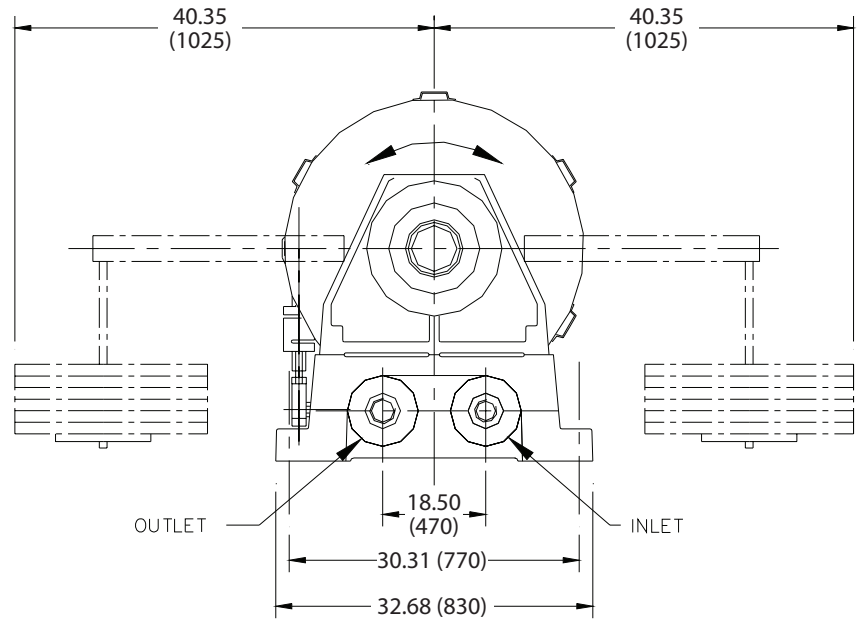
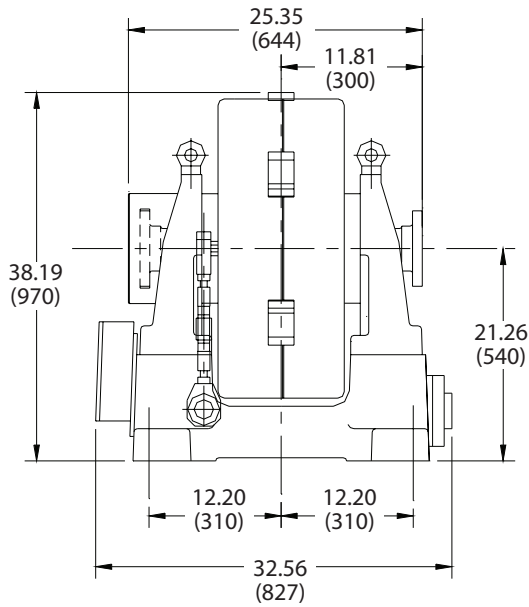


### DE400 (English)



### DE400 (Metric)





## Specifications

Power: 536 hp (400 kW)

Torque: 1,475 ft-lb (2,000 Nm)

Speed: 8,000 rpm

Water Use: 74 gpm (4.7 lps) (No Cooling System)

Shipping Weight: 4,012 lb (1,820 kg)

Inertia Value: 26 ft<sup>2</sup> · lb (1.107 m<sup>2</sup> · kg)

*Everything you need to succeed*



3602 West Wheelhouse Road, Milwaukee, Wisconsin 53208 U.S.A.  
 (414) 755-0040 [www.taylordyno.com](http://www.taylordyno.com)

SMS2031v004