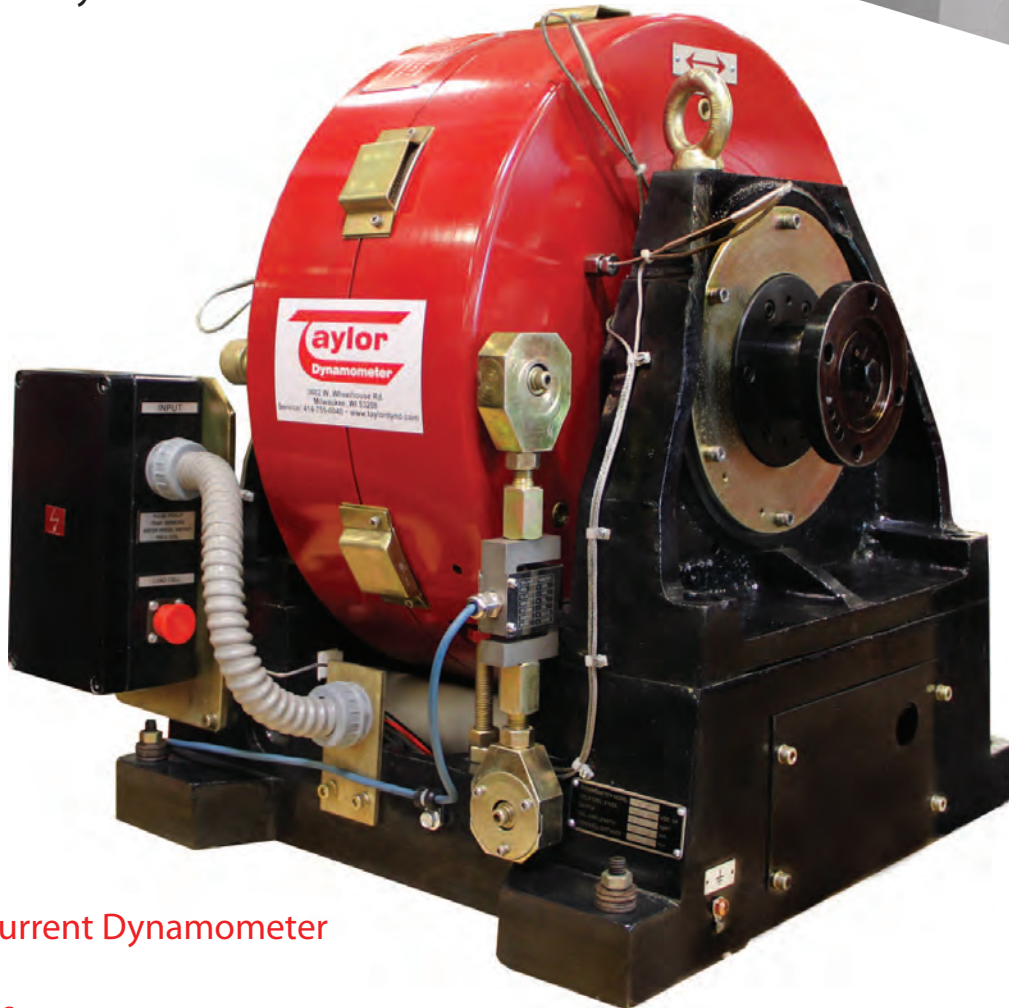




## DE30 / Engine Dynamometer



### DE30 Eddy Current Dynamometer

#### Specifications

Power: 40 hp (30 kW)

Torque: 70 ft-lb (95 Nm)

Speed: 14,000 rpm

Water Use: 10 gpm (0.6 lps) (No Cooling System)

Shipping Weight: 1,213 lb (550 kg)

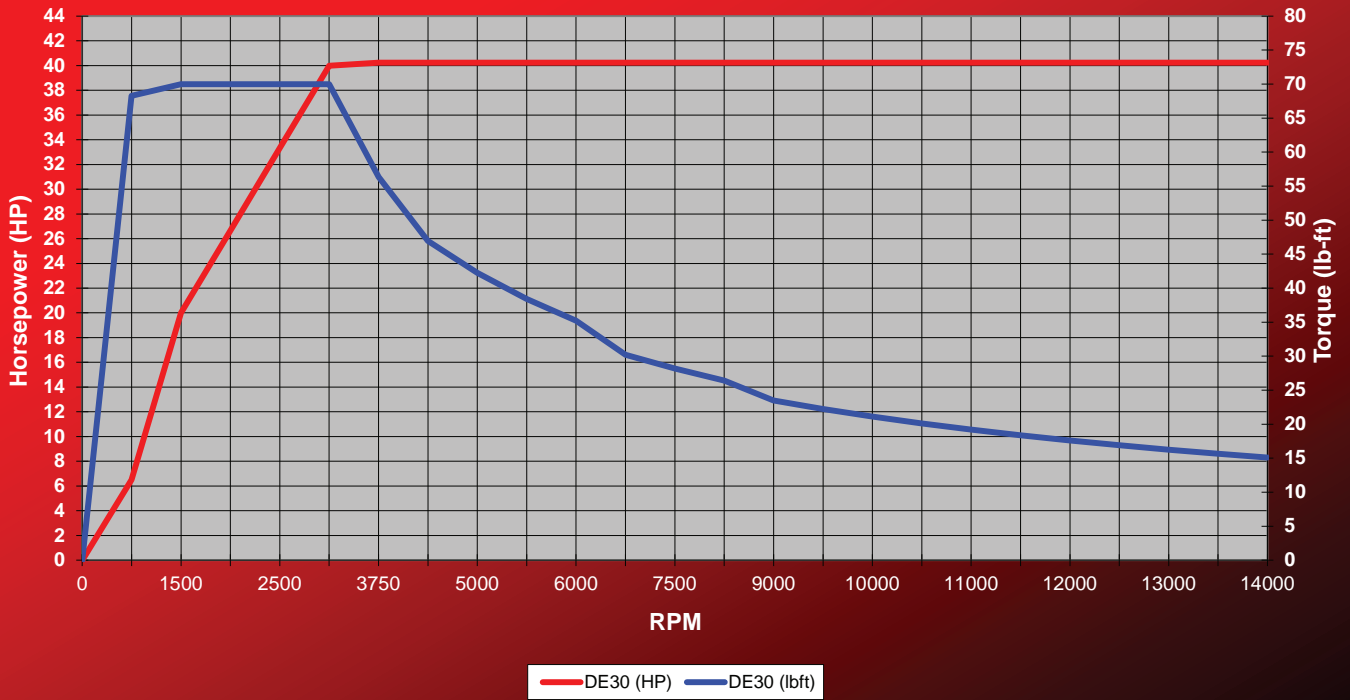
Inertia Value: 0.40 ft<sup>2</sup> · lb (0.0168 m<sup>2</sup> · kg)

#### Recommended Accessories

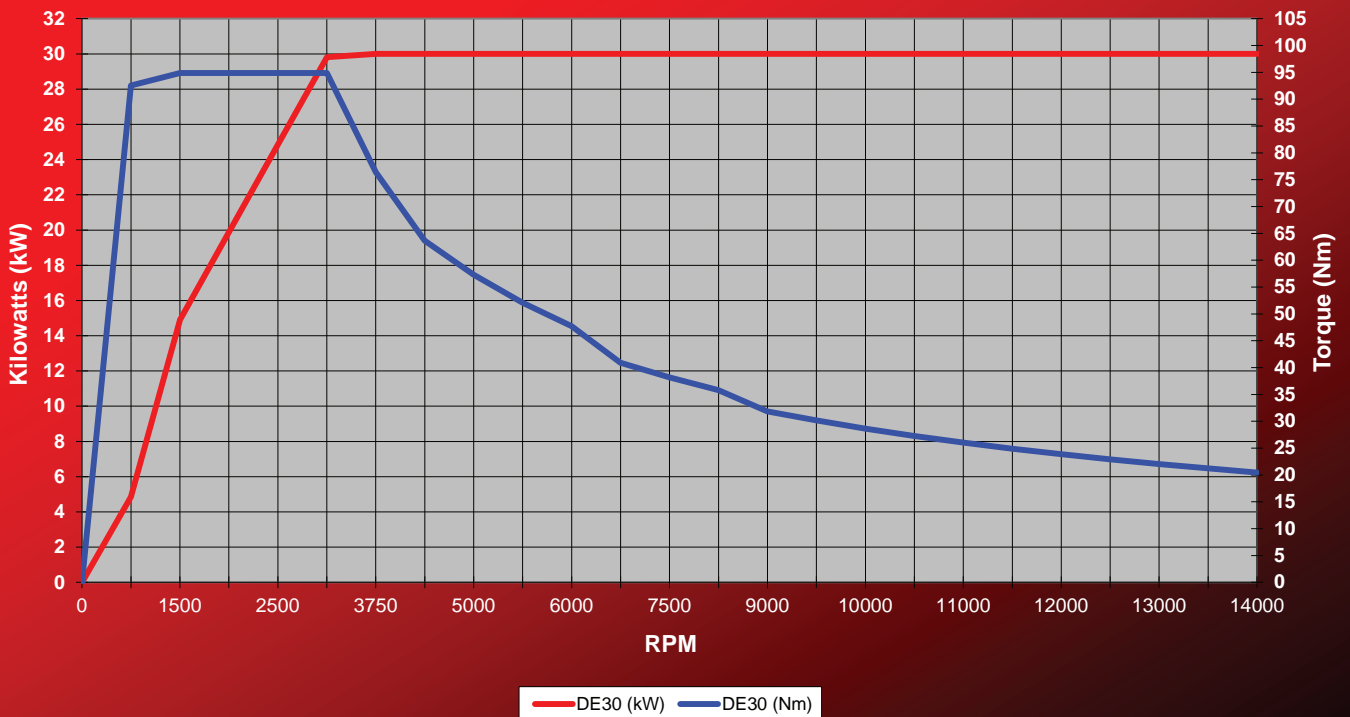
- Driveshaft
- Driveshaft Guard
- Test Stand
- Cooling Column
- Engine Cart
- Charge Air Cooler
- Water Recirculating System

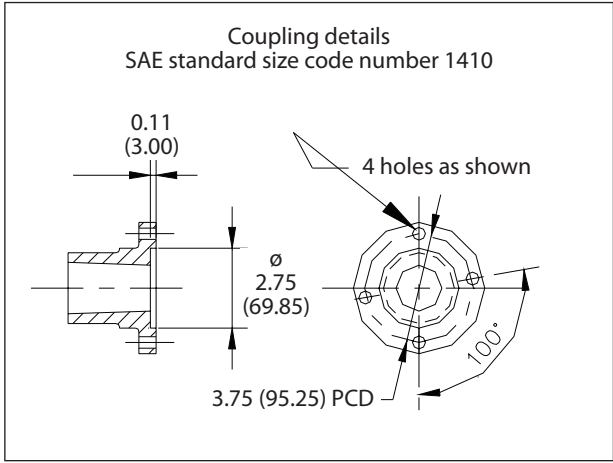
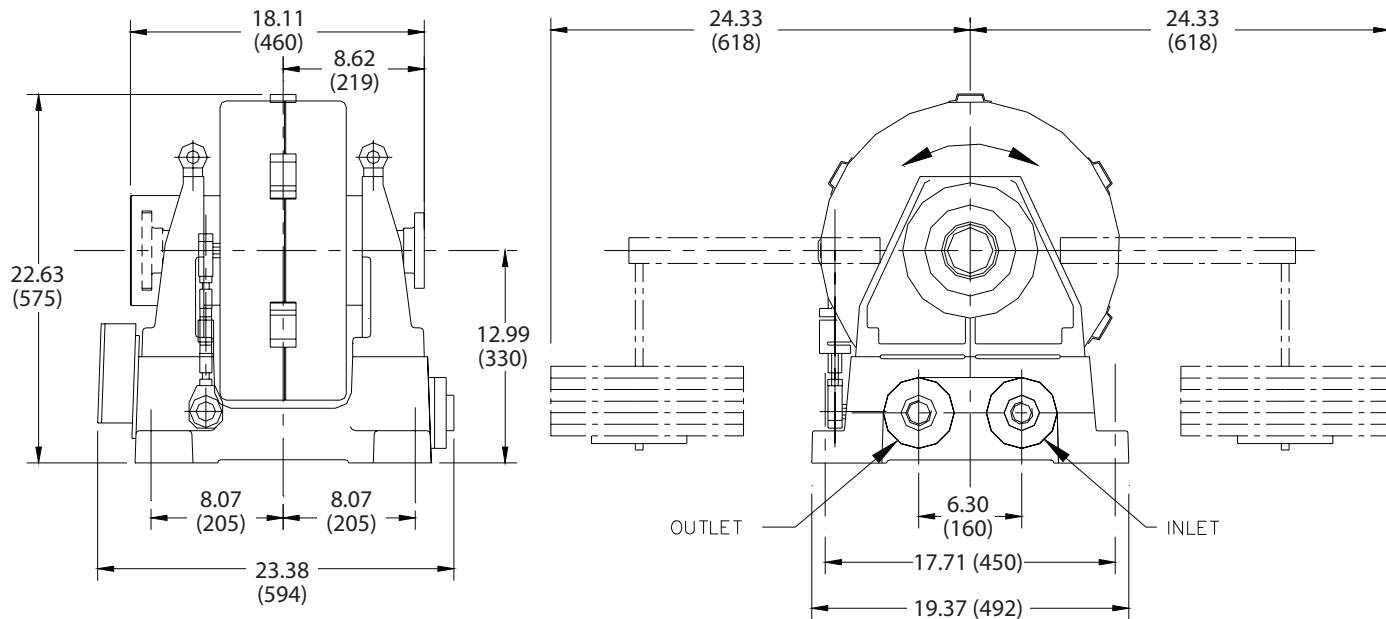
**Total Test Success**

### DE30 (English)



### DE30 (Metric)





## Specifications

Power: 40 hp (30 kW)

Torque: 70 ft-lb (95 Nm)

Speed: 14,000 rpm

Water Use: 10 gpm (0.6 lps) (No Cooling System)

Shipping Weight: 1,213 lb (550 kg)

Inertia Value: 0.40 ft<sup>2</sup> · lb (0.0168 m<sup>2</sup> · kg)

*Everything you need to succeed*



3602 West Wheelhouse Road, Milwaukee, Wisconsin 53208 U.S.A.  
(414) 755-0040 [www.taylordyno.com](http://www.taylordyno.com)

SMS2026v004